

SINK SPECIFICATIONS

MODEL 3118R15UM1850/50, 9" bowl depth

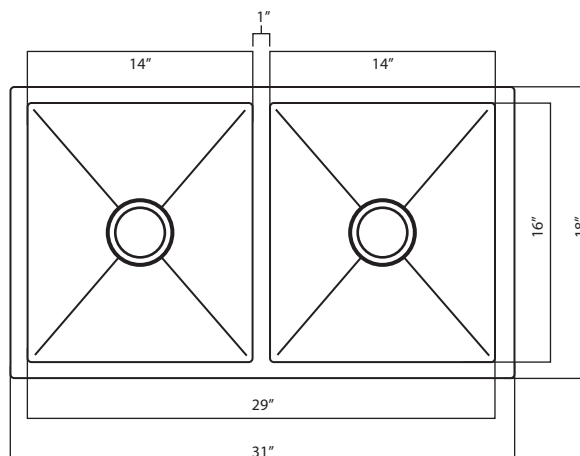


NOMINAL DIMENSIONS Model SR153118UM1850/50 shown

OVERALL	BOWL DEPTH	DRAIN
31" x 18"	9"	3-1/2"

FEATURES:

- * 15 degree radius corners
- * 18 gauge, 304 series stainless steel
- * Center Drain Placement
- * Design allows for easy installation in a 33" cabinet
- * Sound deadening insulation pads



SINK ACCESSORIES:

3118R15UM1850/50GRID